

LINE MicroNVR quick installation manual

LINE
video surveillance system



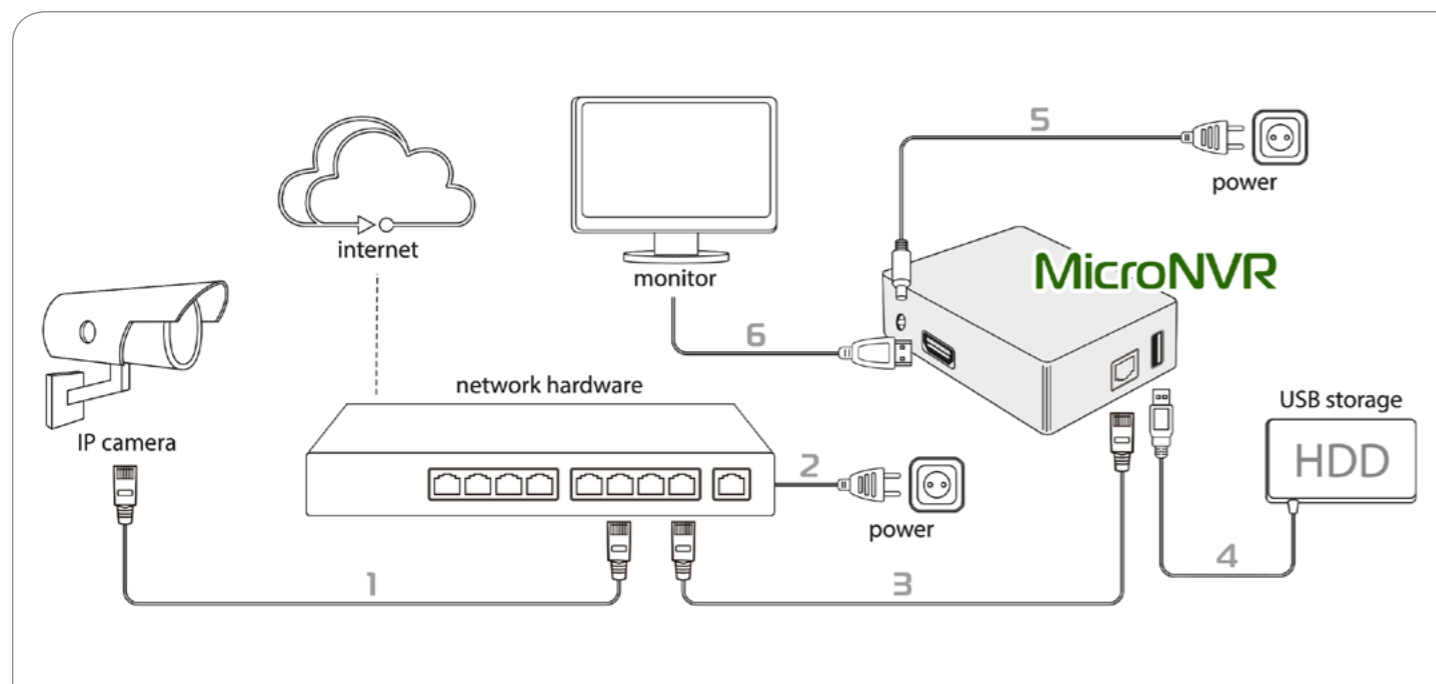
Preparing the device for operation

This manual will help you quickly set up your video surveillance system. Detailed instructions and all additional information are available at: <http://www.devline.net/nvr/>.

Connection

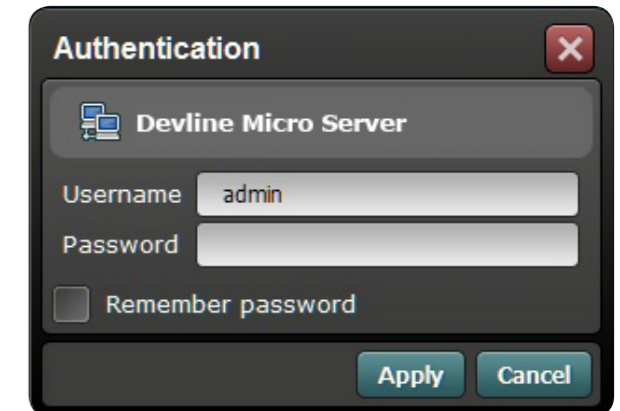
Follow the instructions in accordance with the diagram:

1. Connect your IP cameras to your network hardware.
2. Make sure that your network hardware is connected to power supply.
3. Connect your equipment to the video server via Ethernet LAN cable (DHCP is enabled for «Line MicroNVR» by default).
4. Connect a USB drive (we recommend using HDD drives).
5. Connect the video server to a power outlet using a power adapter.
6. If necessary, connect the display to the system via a HDMI cable.



Configuring your video server

1. To change the time and the static IP address settings of the device, use admintool: <http://www.devline.net/nvr/files/>.
2. Download and install the current version of the Line software: <http://www.devline.net/soft/>.
3. Open server search, and locate the server (Devline Micro Server).
4. Connection information: username – admin (without a password).
5. For the camera connection settings: "Observer" → "Manage" → Camera Channel → → "Connection Settings"
6. For remote connection, use the Internet address listed on the reverse side of the device.



Configuring mobile clients

For remote surveillance via a smartphone or a tablet PC running Android or iOS, install a special mobile application.

1. Go to iTunes or Google Play, locate the application by keywords «Line video surveillance», and install it on your device.
2. To add MicroNVR, touch «Settings» → «List of servers». In the window that appears, touch icon «+» to create a new server, then enter the server name, its address and port, as well as the user name and the password that you use to log in to the regular version of the «Line» software.



Contacts

+86 755 8602 0780

Business Hours (UTC+8):
Monday to Friday 9:00 – 18:00

Detailed information about functions, capabilities, and configuration of «Line MicroNVR»:

<http://www.devline.net/nvr/>.