

LINE XVR 4 H.265 quick installation guide

LINE
video surveillance system



Preparing the device for operation

This guide will help you to quickly set up your video surveillance system. Detailed instructions and all additional information are available from website: devline.net

Connection

1. HDD drives are mounted inside the case, as shown in the Figure (Fig. 1).
2. Connect your TVI, CVI, AHD, and CVBS cameras to the unit (here and further - Fig. 2).
3. Connect your IP cameras to your network hardware.
4. Make sure that your network equipment is connected to power supply.
5. Connect your equipment to the video recorder via an Ethernet LAN cable.
6. Connect the video recorder to the wall outlet using a power adapter.
7. Connect the display to the system via an HDMI or a VGA cable.
8. Connect the USB mouse to the device.

Figure 1.

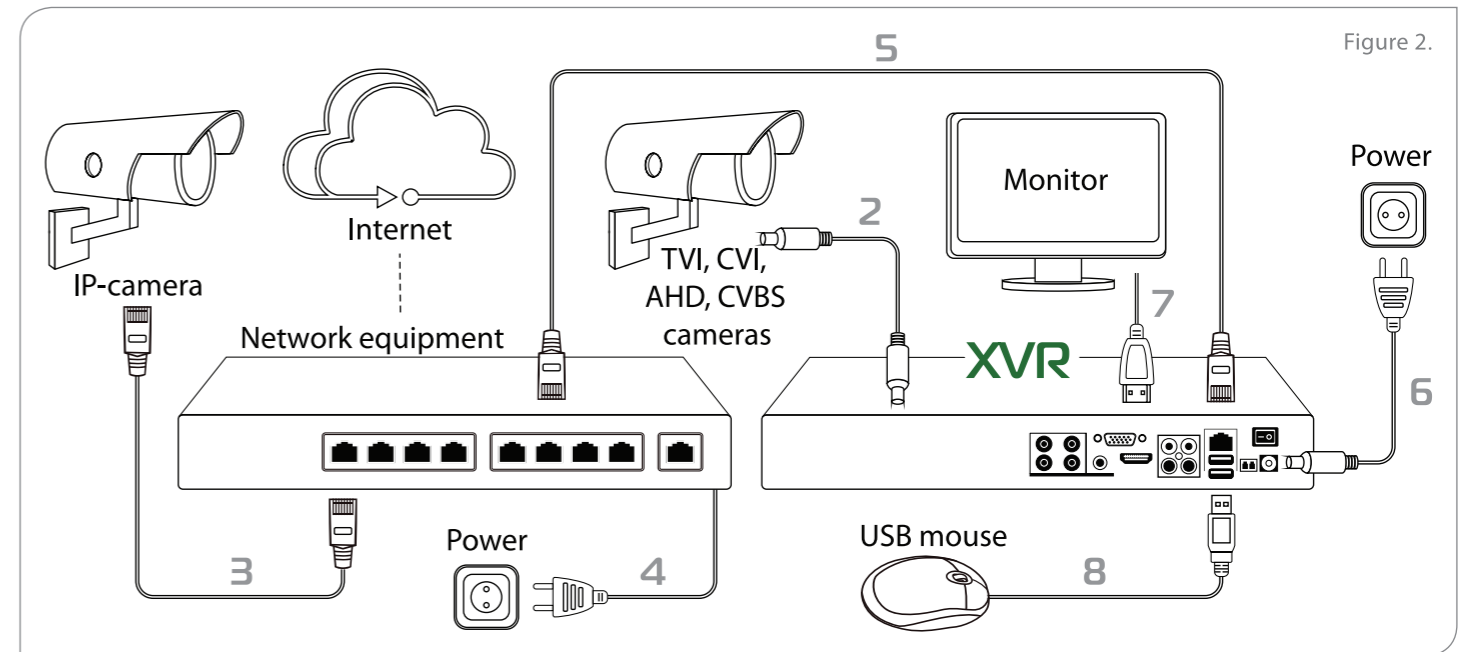
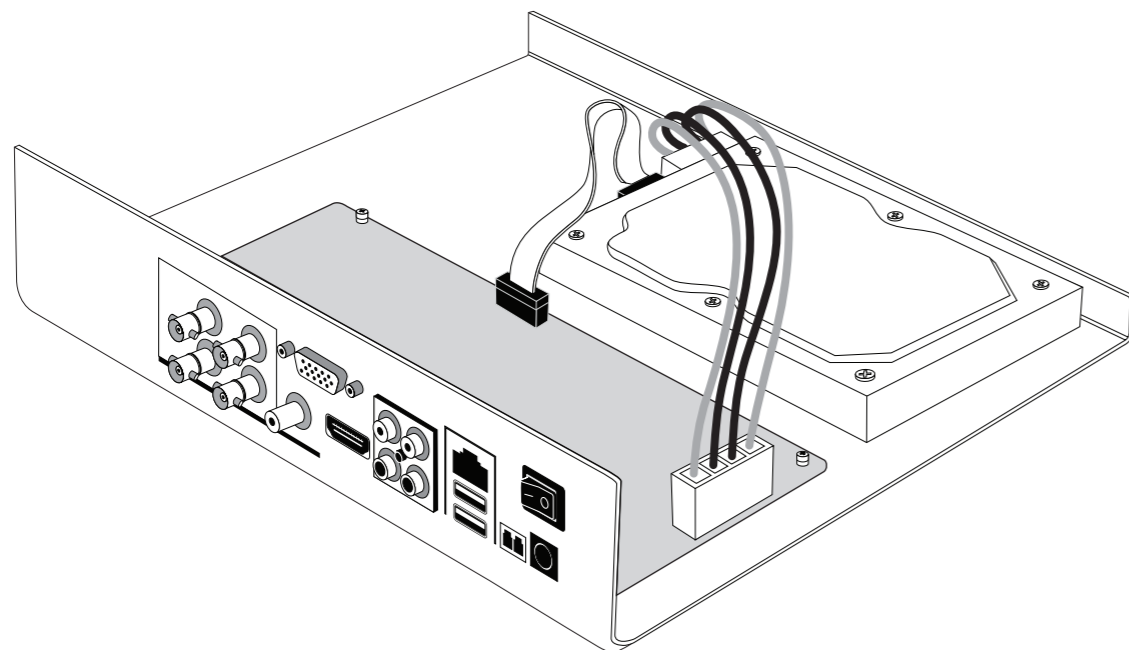


Figure 2.



Configuring the videorecorder

The system can be managed locally or remotely from any Line client place.

Local settings

1. Connect a keyboard, mouse and monitor to the video recorder.
2. Turn on your recorder.
3. The log in window will open after the system is started. Default connection details: username—admin (no password).
4. Go to the Manage menu, open the Video tab and configure the cameras connected to the video recorder.

Remote settings

1. To change the time settings and set up a static IP address of the device use the admintool application.
2. Download and install the current version of «Line» software: <http://www.devline.net/soft/>.
3. Open server search, and find the videorecorder. Connection data: username is admin, no password (figure 3).
4. To configure IP camera: Observer – Manage – Camera (pop up menu - switch to IP) – “Connection settings”.



Configuring mobile clients

For remote surveillance via a smartphone or a tablet running Android or iOS, install a special mobile application.

1. Go to App Store or Google Play, find the application by keywords “Line. Surveillance”, and install it on your device.
2. To add XVR, touch “Settings” → “List of servers”. In the window that appears, tap “+” to create a new server, then enter the name of the server or DynamicDNS, its address, and port (9786), as well as the username and the password you use to log in when you use regular version of the “Line” software.